



Acme Sanitary Ware Co Ltd

Acme Building, 22-28 Nanking Street, Kowloon, Hong Kong
Tel: 2388 7171 Fax: 2710 8012
E-mail: acme@acmesanitary.com.hk
Website: www.acmesanitaryware.com.hk



Pure Freude
an Wasser

PROJECT		REF		REV	ITEM CODE	
LOCATION		DATE			PAGE	

SANITARY WARE SPECIFICATION SHEET

Item Descriptions	GROHE (Germany) "Grandera" Wall mounted three-hole basin mixer 1/2" M-Size (Projection 234 mm)
Dimensions	L234 x W330 x H60 mm
Model	20415000
Finish / Material	Chrome Plated
Country of origin	Germany
Manufacturer	GROHE Limited
Supplier	Acme Sanitary Ware Co. Ltd Mr. Eric Wong/ Mr. Don Yuen
Contact Tel/Fax	(852) 2388-7171 / (852) 2710-8012
E-mail	acme@acmesanitary.com.hk
Website	www.acmesanitary.com.hk

Illustration/ Drawing

"Grandera"
Wall mounted three-hole basin mixer 1/2" M-Size

- wall mounted
- **without concealed body**
- set for final installation for 29 025 002
- valves hot/cold with headparts 1/2" - 90°
- **GROHE StarLight** chrome finish
- **GROHE EcoJoy** technology for less water and perfect flow
- **GROHE AquaGuide** adjustable mousseur 5.7 l/min
- projection 234 mm min.
- **recommended pressure 1 bar**

Colour options:

- 000 | StarLight Chrome
- IG0 | Chrome/Gold
- DA0 | Warm Sunrise

20415000 20415IG0 20415DA0

Note:

* All information of the above is for the reference only. No prior notice is made if any changes.



Acme Sanitary Ware Co Ltd

Acme Building, 22-28 Nanking Street, Kowloon, Hong Kong
Tel: 2388 7171 Fax: 2710 8012
E-mail: acme@acmesanitary.com.hk
Website: www.acmesanitaryware.com.hk



Pure Freude
an Wasser

PROJECT		REF		REV	ITEM CODE	
LOCATION		DATE			PAGE	

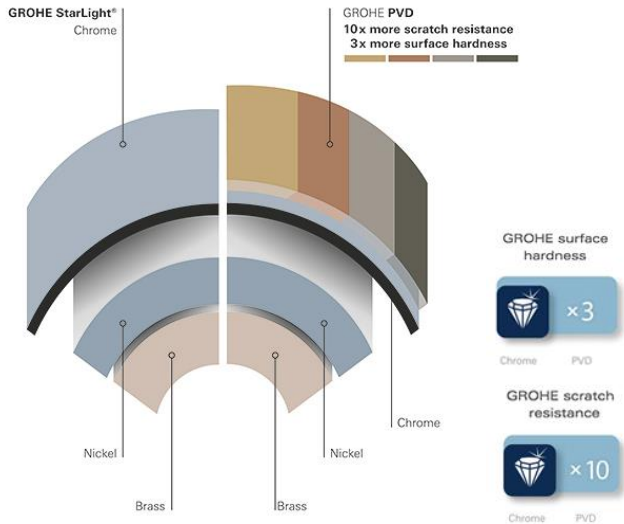
SANITARY WARE SPECIFICATION SHEET

GROHE GRANDERA

TOMORROW'S GRAND STYLE

The GROHE Grandera collection is both a homage to an age of grandeur long past and an affirmation of modern sensibility, combining the highest standards of quality and craftsmanship with a love of detail and comfort.

Stylistically, the Grandera collection can be combined with a wide range of bathroom furnishings, with the added flexibility of two colors – chrome and chrome / gold.



GROHE STARLIGHT

Made-to-last surfaces ranging from precious matt to shiny like a diamond.



GROHE ECOJOY

Save precious resources and enjoy 100 % water comfort.



AQUAGUIDE

Variable spout end for adjustment of water flow.



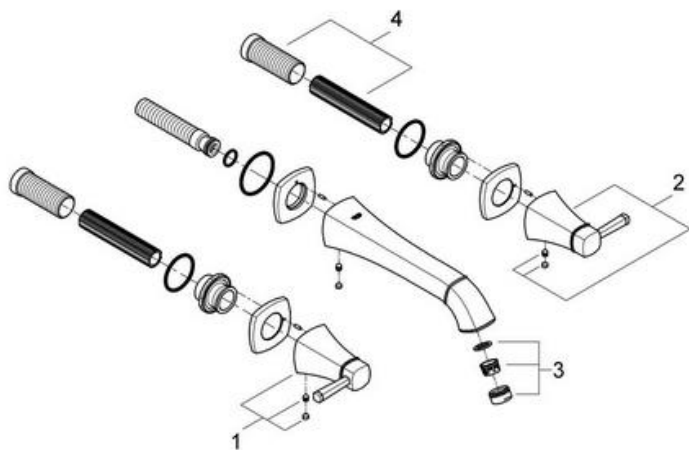
Easy to clean thanks to the GROHE StarLight chrome coating

Just wipe the tap down with a dry cloth – the ultra smooth surface finish is scratch resistant and ensures a lasting luminous sheen. You'll save plenty of time cleaning while your tap always looks shiny and new.



GROHE EcoJoy with water-saving function for reduced consumption

GROHE EcoJoy reduces water consumption by up to 50% without compromising on performance. Whenever you turn on your tap, you will enjoy a full jet of water while saving money nonetheless.



Pos.-nr.	Prod. description	Order-nr.
1	Grandera handle red	48198000
2	Grandera handle blue	48199000
3	Flow straightener	46837000
4	Extension for spindle	45988000

* Optional accessories

Note:

* All information of the above is for the reference only. No prior notice is made if any changes.